

2502/104

2503/104

2509/104

ENGINEERING DRAWING I

Oct./Nov. 2021

Time: 3 hours

DIP I



THE KENYA NATIONAL EXAMINATIONS COUNCIL

DIPLOMA IN MECHANICAL ENGINEERING
(PLANT OPTION)

DIPLOMA IN AUTOMOTIVE ENGINEERING
DIPLOMA IN CONSTRUCTION PLANT ENGINEERING

MODULE I

ENGINEERING DRAWING I

3 hours

INSTRUCTIONS TO CANDIDATES

You should have the following for this examination:

Answer booklet;

Drawing papers;

Non-programmable scientific calculator.

This paper consists of TWO sections: A and B.

Answer ALL the questions in section A and any THREE questions from section B.

Maximum marks for each part of a question are as indicated.

All dimensions are in millimeters unless otherwise stated.

Estimate any dimensions that are not given.

Candidates should answer the questions in English.

This paper consists of 6 printed pages.

Candidates should check the question paper to ascertain that all the pages are printed as indicated and that no questions are missing.

SECTION A:

(Compulsory).

1. Figure 1 shows a fabricated bracket. Draw the following views in first angle projection in full size:

- (a) The front elevation in the direction of arrow A.
- (b) The end elevation in the direction of arrow B.
- (c) Plan.

Include:

- six major dimensions
- projection symbol
- all hidden details.

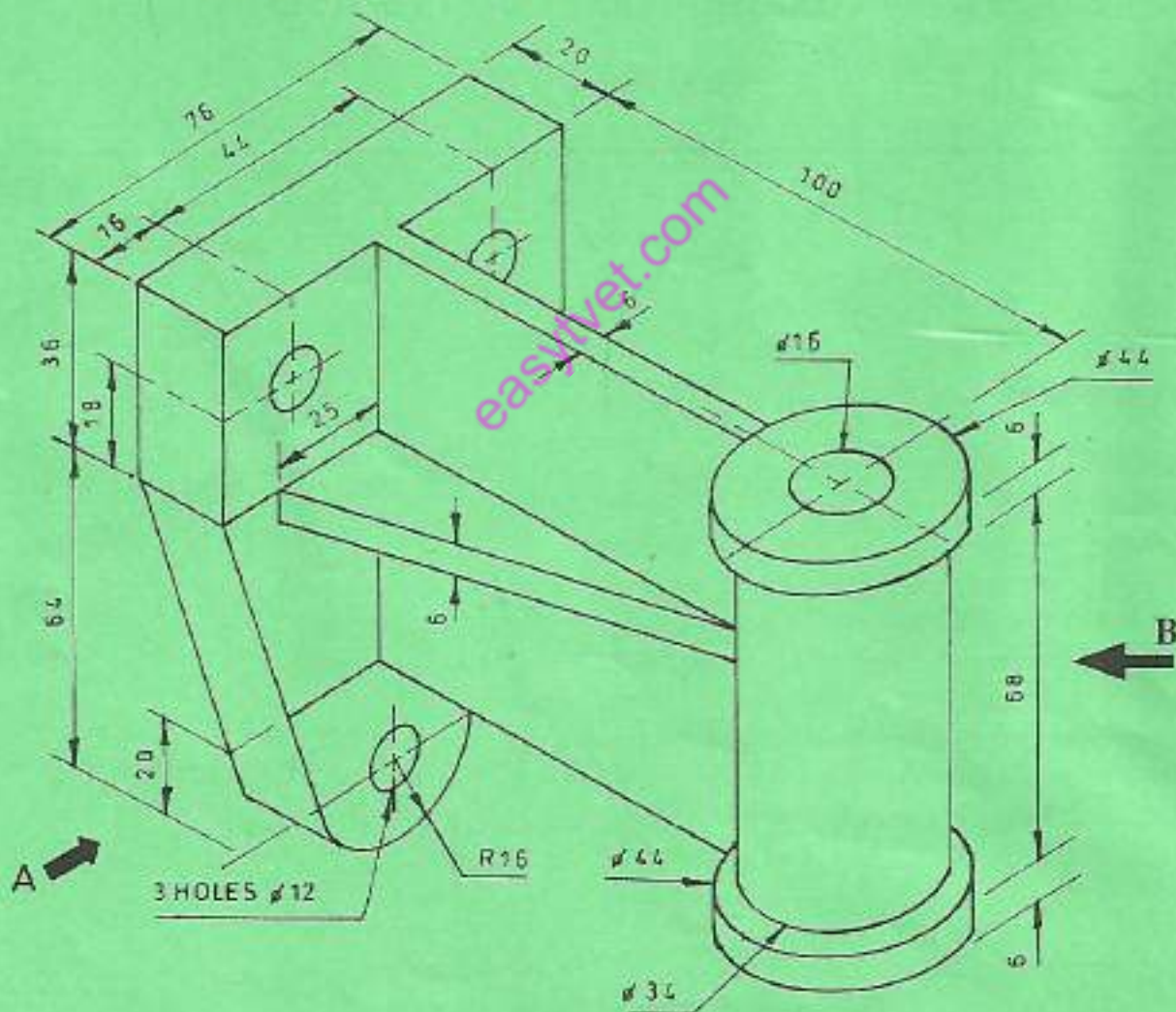


Fig.1

SECTION B

Answer any THREE questions from the section.

2. (a) Construct an isosceles triangle whose perimeter is 150 mm and an altitude of 60 mm. (5 marks)
- (b) (i) Figure 2 shows a link mechanism. Construct the locus of point E for a complete revolution of AB. (15 marks)
- (ii) Design a guard outline with a minimum clearance of 12 mm.

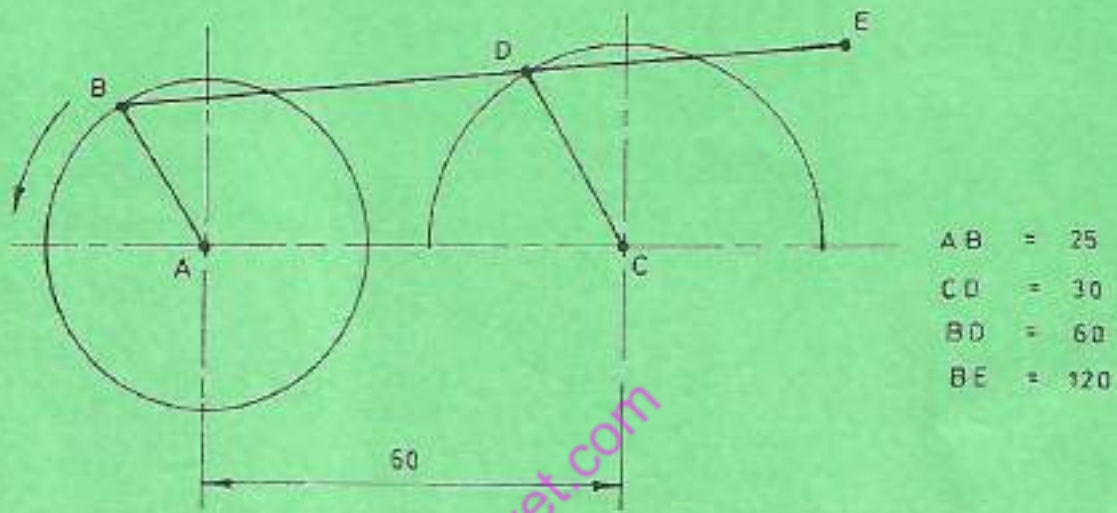


Fig. 2

3. (a) Figure 3 shows a disc rolling along a curve AB without slipping. Plot the locus of point P as the disc makes one complete revolution. Name the locus. (8 marks)

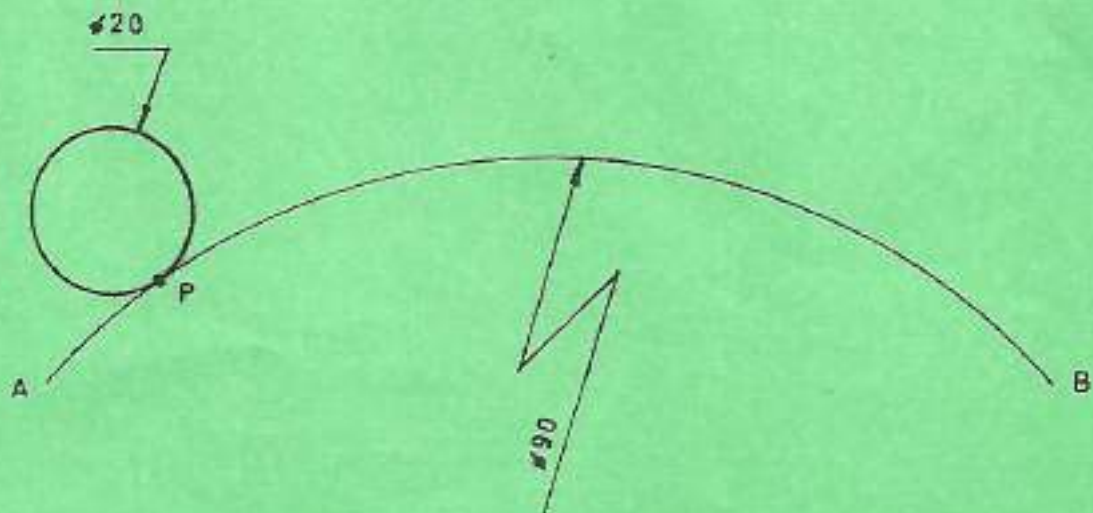


Fig. 3

- (b) Figure 4 shows the outline of an electric bulb. Draw the bulb full size showing all the constructions. (12 marks)

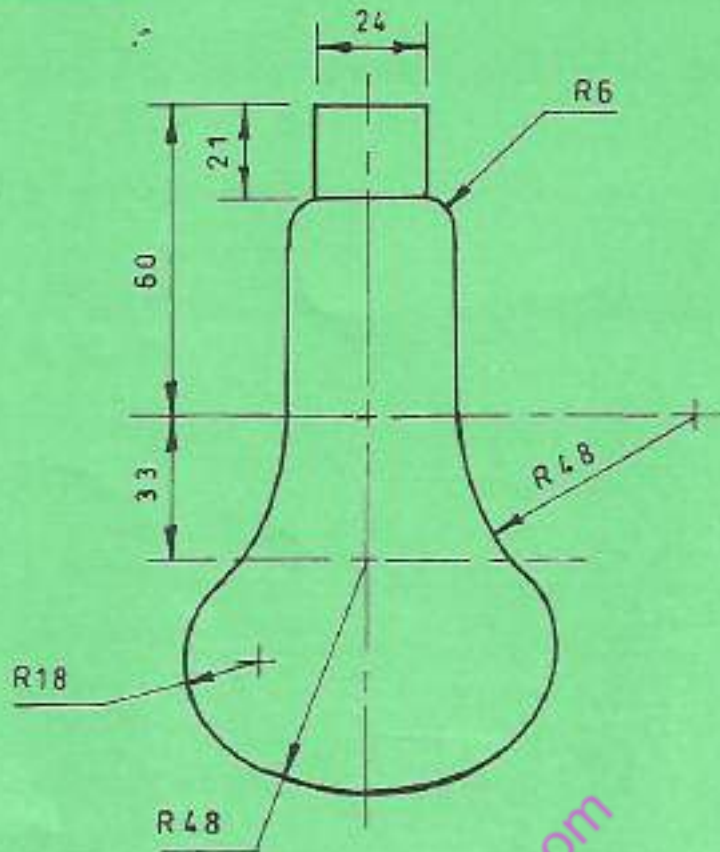


Fig. 4

4. Figure 5 shows the intersection of two offset cylinders. Copy the given views and draw:

- (a) the line of intersection,
- (b) the surface development of the horizontal cylinder.

(20 marks)

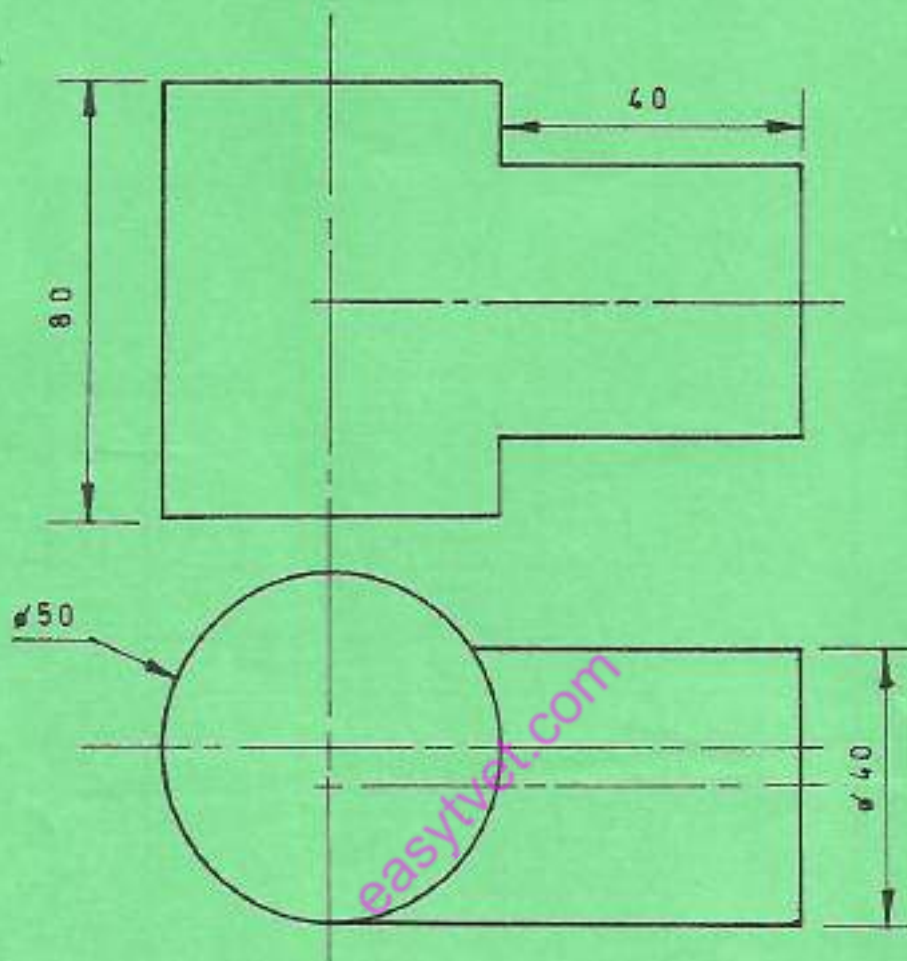


Fig.5

5. Figure 6 shows the views of a machine block. Draw an isometric drawing of the block with point X as the lowest point. (20 marks)

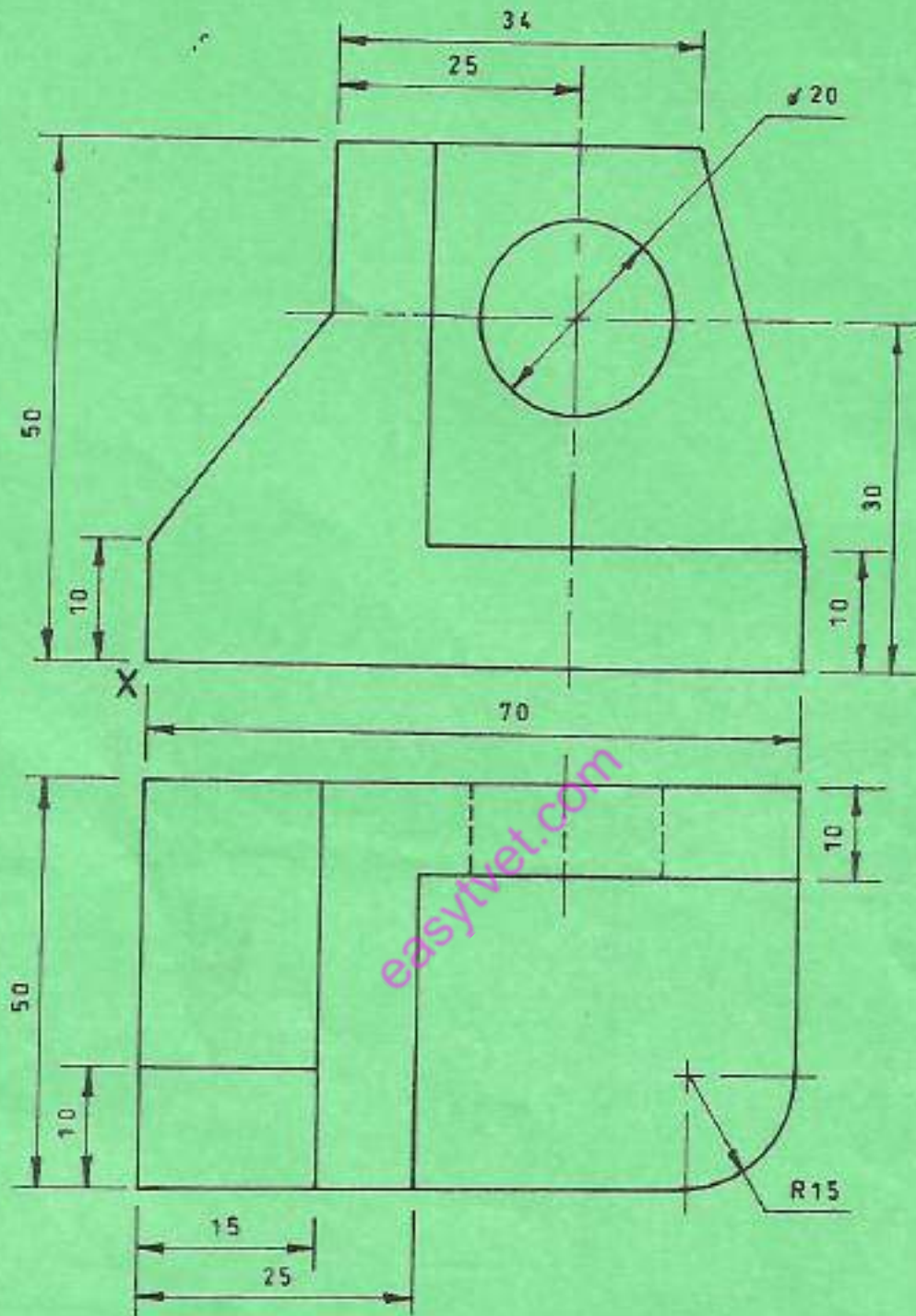


Fig.6

THIS IS THE LAST PRINTED PAGE.